

APPLICATION AND USE

BD297 pressure controllers are used in air conditioning and thermoventilation plants to control differential pressure in filters, coils and fans.

MANUFACTURING CHARACTERISTICS

BD297 are two-position electromechanical controllers with two Ø 5 mm pressure connections for PVC flexible pipe (pressure clutch).

TECHNICAL CHARACTERISTICS

| | |
|-----------------------|--|
| Pressure max | 50 kPa |
| Differential pressure | 30-500 Pa |
| Allowed fluids | air and non-aggressive gas |
| Electrical ratings | max. 3A resistive max. 2A inductive |
| Protection degree | IP 54 (DIN40050) |
| Mounting | on wall - equipped with PVC flexible pipe for connection |

Material:

| | |
|-------------------|----------|
| - housing | ABS |
| - duct connectors | ABS |
| - membrane | Silicone |
| - cable sleeve | PVC |

Weight 0,15 Kg. (0,35 Kg. with pipe)

Connections:

| | |
|--------------------------|-------------------|
| - electrical connections | 3 screw terminals |
| - cable entry | PG 9 |
| - pressure connections | male Ø 5 mm. |

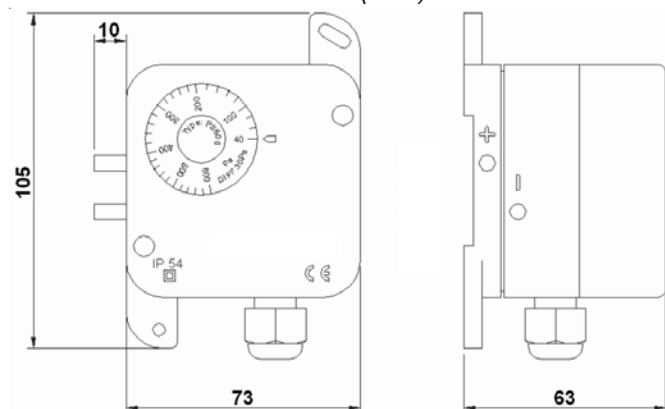
Ambient temperature

| | |
|-------------|-----------|
| - operating | -20T60 °C |
| - storage | -40T85 °C |

Product conforms to Low Voltage directive (73/32/EEC)

Voltage against earth 250 Vac max.

OVERALL DIMENSIONS (mm)



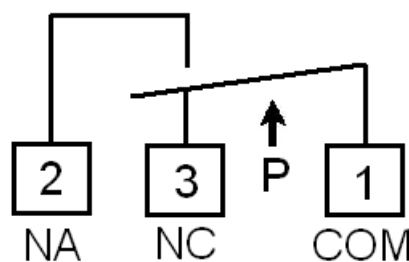
INSTALLATION

BD297 pressure controller is factory-calibrated for vertical position.

If installed horizontally, this will affect the switching point as follows:

- with cover facing upwards, switching point is 15 Pa higher than scale
- with cover facing downwards, switching point is 15 Pa lower than scale

ELECTRICAL CONNECTIONS



When differential pressure increases:

- 1 - 3 open
- 1 - 2 close

The performances stated on this sheet can be modified without prior notice due to design improvements.